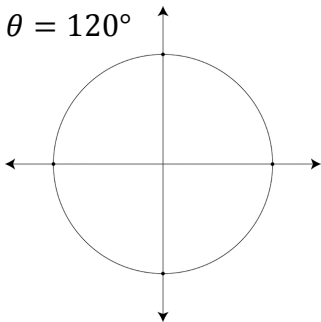


**Reference and Co-Terminal Angles**

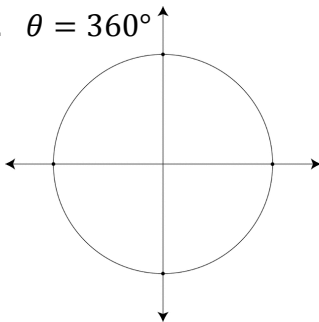
Sketch the given angle in standard position and complete the following for each angle.  
Complete 5 problems and do the rest for practice.

- determine the reference angle
- one positive and one negative co-terminal angle

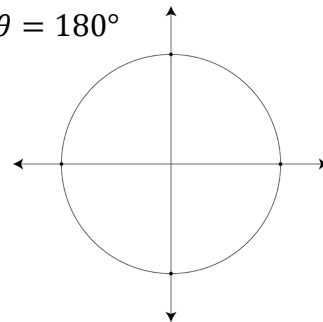
1.  $\theta = 120^\circ$



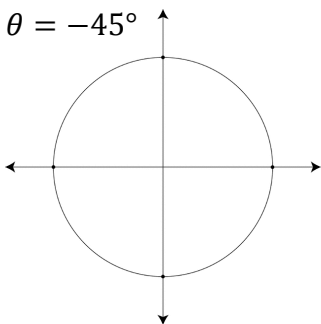
5.  $\theta = 360^\circ$



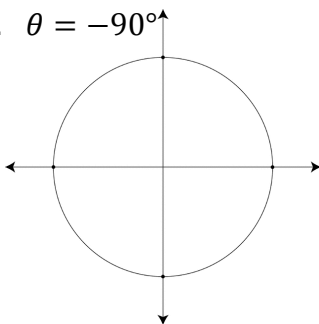
9.  $\theta = 180^\circ$



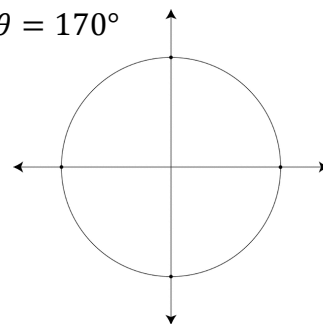
2.  $\theta = -45^\circ$



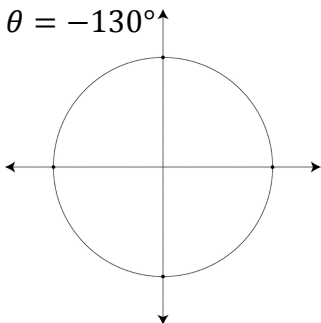
6.  $\theta = -90^\circ$



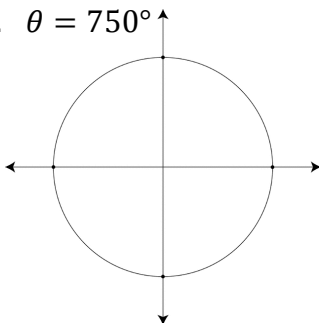
10.  $\theta = 170^\circ$



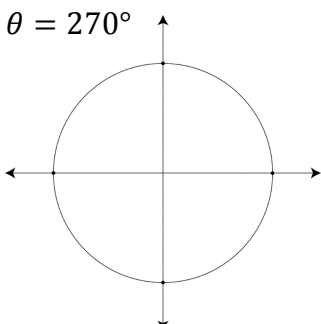
3.  $\theta = -130^\circ$



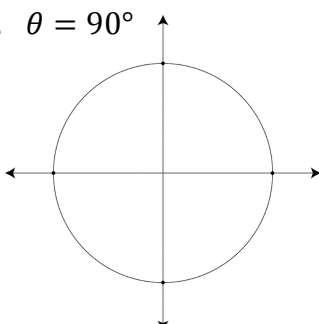
7.  $\theta = 750^\circ$



4.  $\theta = 270^\circ$



8.  $\theta = 90^\circ$



Sketch the given angle in standard position and complete the following for each angle.

Complete 5 problems and do the rest for practice.

- determine the reference angle
- one positive and one negative co-terminal angle

